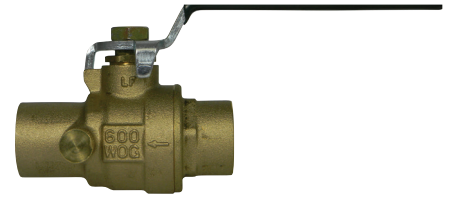


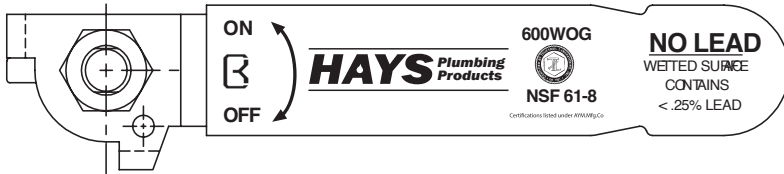
SUBMITTAL DATA SHEET

No-Lead Ball Valves - Full Port with Drain Ball Valve - 72033S

Inlet: Copper Sweat x Outlet: Copper Sweat

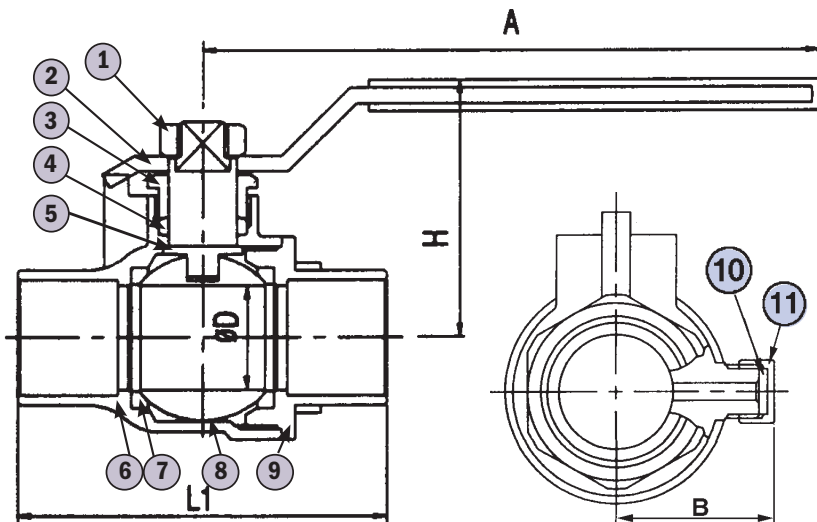


Hays Plumbing No-Lead Full Port Ball Valves with drain are constructed from heavy duty no-lead brass. They are designed for residential and commercial use on steam, oil, water or gas. The full port allows for maximum flow, minimum pressure drop and turbulence. The drain feature allows for drainage of water down line to prevent freeze up.



Dimensions

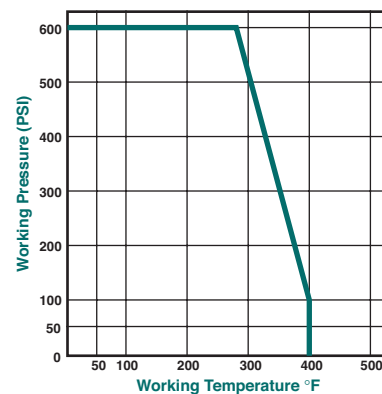
Size	L1	H	D	A	B	Part No.
1/2"	1.91	1.52	.50	3.28	.91	CB5421-125
3/4"	2.73	1.95	.78	4.60	1.10	CB5421-126
1"	3.28	2.11	.98	4.60	1.26	CB5421-127



Materials

No.	Part	Material
1	Nut	Steel
2	Handle	Steel
3	Stem Gland Screw	No-Lead Brass
4	Stem Packing	Teflon
5	Stem	No-Lead Brass
6	Body	No-Lead Brass
7	Ball Disc Packing	Teflon
8	Ball	No-Lead Brass
9	End Plug	No-Lead Brass
10	Drain Packing	Rubber
11	Drain Cup Nut	No-Lead Brass

Temperature / Pressure Rating



SUBMITTAL INFORMATION

- 600 WOG - 150 PSI Steam
- Sizes: 1/2", 3/4", 1"
- ANSI / NSF 61-8
- Conforms to MSS-SP-110
- Blow out proof stem
- Complies with NSF/ANSI 372-2010



NO-LEAD: The weighted average of the wetted surface of this no-lead product contacted by consumable water contains less than one quarter of one percent (0.25%) lead.

HAYS Plumbing Products

Cambridge Brass
P.O. Box 249, 140 Orion Place
Cambridge, Ontario N1R 5V1

Toll Free: 1-800-265-6638
Phone: 519-621-5520
Fax: 1-800-832-9296

info@cambridgebrass.com
www.cambridgebrass.com



Cambridge Brass considers the information on this assembly drawing correct when published. Item and option availability, including specifications, are subject to change without notice. Certifications listed through ALS-Truesdail Laboratories

Submitted by: